

POWERFLEX®

PART NUMBER
PFF3-203G

DESCRIPTION
FRONT UPPER CONTROL ARM CAMBER ADJUSTABLE

INSTALLATION GUIDE

Contents (parts per pack):

4 x PFF3-203 Polyurethane Bushes 1 x PTFE/Silicone Grease
 4 x Stainless Steel Sleeves 1 x Stainless Steel Spanner

Please read the complete fitting instructions and check package components before fitment. These fitting instructions are to be used as a guide and in conjunction with workshop manual.

It is recommended that:

- all work to be carried out by a licensed technician;
- all safety precautions adhered to;
- wheel alignment to be checked and adjusted as required after any suspension work.
- All fasteners must be tensioned to manufacturer's torque settings.

Fitting Instructions:

1. Remove the original bush from the arm and clean away any dirt and corrosion from the vacant hole, filing away any sharp edges with rounded file.

2. Using a vice or press, insert the PFF3-203G bush into the vacant hole. Press the bush into the void until the bush sits flush within the arm. Ensure the recess in the bush is in the correct positioning, as shown in figure 1.

Two of the bushes should have the recess facing the front of the car when fitted, and two of the bushes facing in the opposite direction.

Tip - Apply washing up liquid to the vacant hole of the arm before inserting the bush, alongside pressing the bush into the hole at an angle to ease insertion. Further details on fitting cotton reel bushes can be found on our website.

3. Apply some of the supplied grease to the exterior surface of the Stainless Steel Sleeve and push it into the bore of the PFF3-203G Bush, until it sits flush within the bore and recess.

4. To adjust the camber, use the Stainless Steel Spanner to turn the sleeves for the desired adjustments. **See Figure 3 for further information on adjustment.**

4. Refit the arm and test drive the car, remembering to also tension all hardware to manufacturers recommended torque settings.



Figure 1 - Positioning of Bushes

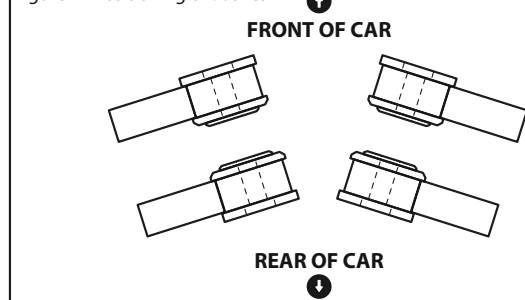


Figure 2 - Inserting the Sleeve

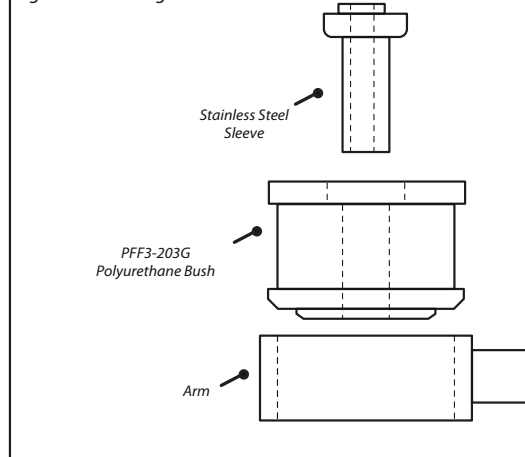


Figure 3 - Maximum Camber Adjustments, view from front and rear of car

