

# POWERFLEX®

PART NUMBER

**PFR57-127**

DESCRIPTION

TRANSMISSION MOUNT INSERT

## INSTALLATION GUIDE

### **Contents (parts per pack):**

1 x Polyurethane Insert

*Please read the complete fitting instructions and check package components before fitment.*

*These fitting instructions are to be used as a guide and in conjunction with workshop manual.*

*It is recommended that:*

- all work to be carried out by a licensed technician;*
- all safety precautions adhered to;*
- wheel alignment to be checked and adjusted as required after any suspension work.*

*All fasteners must be tensioned to manufacturer's torque settings.*



### **Fitting Instructions:**

1. Remove the transmission mount bracket from transmission mount.
2. Remove any flashing in the mount bush and clean any dirt and corrosion.
3. Fit polyurethane insert into transmission mount bracket bush, from end with spigot on. As shown in *Figure 1*.
4. Refit transmission mount bracket. Tension all hardware to manufacturers recommended torque settings.

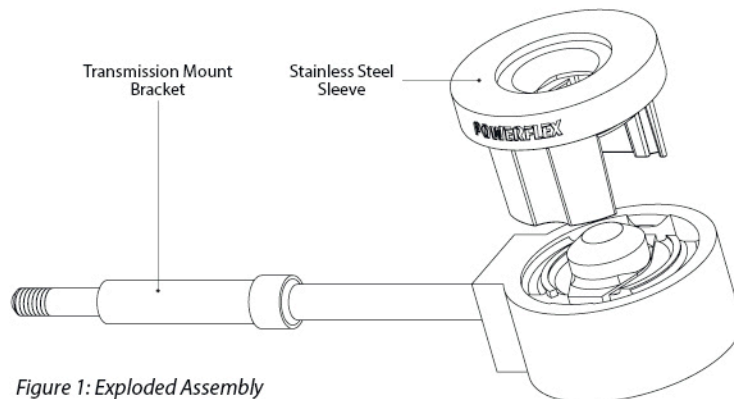


Figure 1: Exploded Assembly